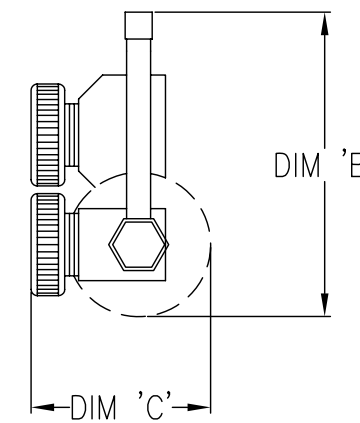
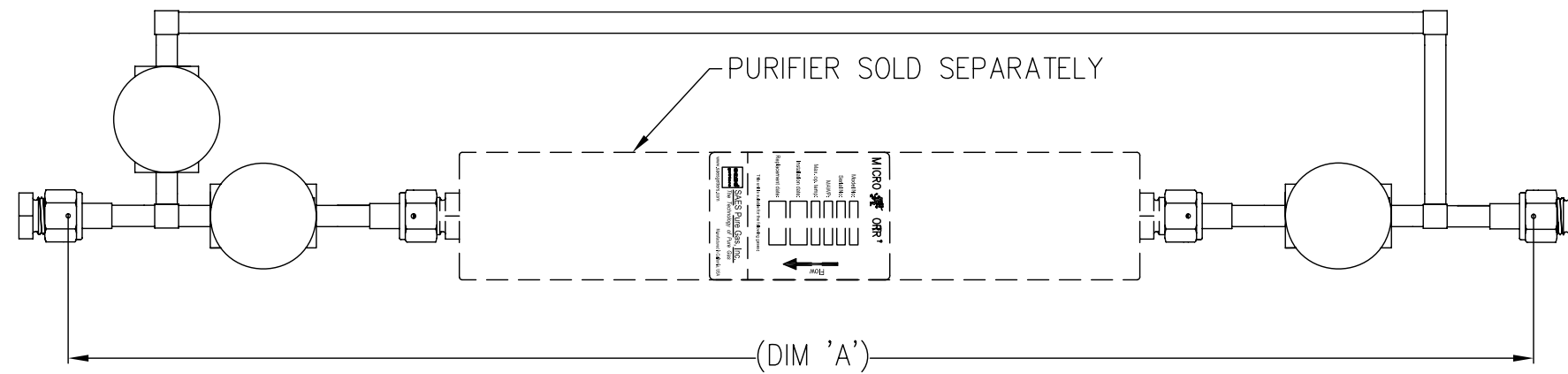


NOTES: UNLESS OTHERWISE SPECIFIED

1. INTERPRET DRAWING PER SAES PROCEDURE P250-010.
2. FITTINGS: 1/2" FVCR.

3 VALVE CONFIGURATION

MODEL	DIM 'A'	DIM 'B'	DIM 'C'
MC1500-3V	34.5 [876] LENGTH	6.3 [160] WIDTH	3.7 [94] DEPTH
MC3000-3V	36.3 [922] LENGTH	6.8 [173] WIDTH	4.2 [107] DEPTH
MC4500-3V	44.0 [1118] LENGTH	7.8 [198] WIDTH	5.2 [1132] DEPTH
MC9000-3V	55.7 [1415] LENGTH	7.8 [198] WIDTH	5.2 [1132] DEPTH



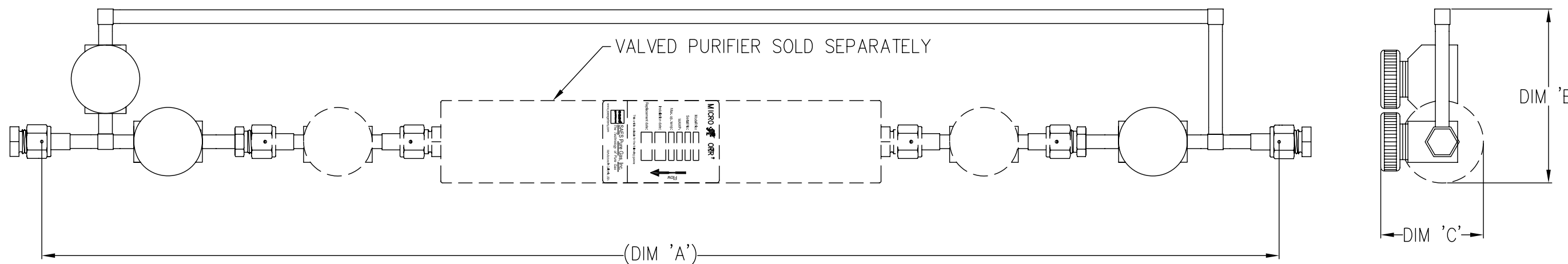
MC1500 SHOWN

UNLESS OTHERWISE SPECIFIED, DIMENSIONS ARE IN INCHES [mm] AND TOLERANCES ARE: ALL FEATURES			
FRACTIONS	DECIMALS	BREAK SHARP EDGES	ANGLES
± 1/32"	.X ±.1 [2.5]	.003 [0.076] TO .007 [0.178]	±1°
± [0.7874]	.XX ±.03 [0.76]	MACHINED SURFACES	
	.XXX ±.010 [0.254]	125 RMS	
DO NOT SCALE DRAWING	MATERIAL	APPROVALS	DATE
THIRD ANGLE PROJECTION	FINISH	DRAWN	J. BEATTIE 06-07-10
	TREATMENT	CHECK	J. BEATTIE 06-07-10
		ENG	P. MENIGOZ 06-07-10

SAES Pure Gas, Inc.		4175 SANTA FE ROAD SAN LUIS OBISPO, CA 93401 (805) 541-9299	
TITLE ENVELOPE DRAWING, 3 & 5 VALVE BYPASS, 1/2"			
SIZE B	CAGE CODE AC913	DWG NO. 4014532	REV. 1
SCALE N/A	ECR/ECN NO.	ENG REL	SHEET 1 OF 2

5 VALVE CONFIGURATION

MODEL	DIM 'A'	DIM 'B'	DIM 'C'
MC1500-5V	45.1 [1146] LENGTH	6.3 [160] WIDTH	3.7 [94] DEPTH
MC3000-5V	46.9 [1191] LENGTH	6.8 [173] WIDTH	4.2 [107] DEPTH
MC4500-5V	54.5 [1384] LENGTH	7.8 [198] WIDTH	5.2 [1132] DEPTH
MC9000-5V	66.2 [1681] LENGTH	7.8 [198] WIDTH	5.2 [1132] DEPTH



MC1500 SHOWN